

1

2

3

4

5

6

A

A

B

B

C

C

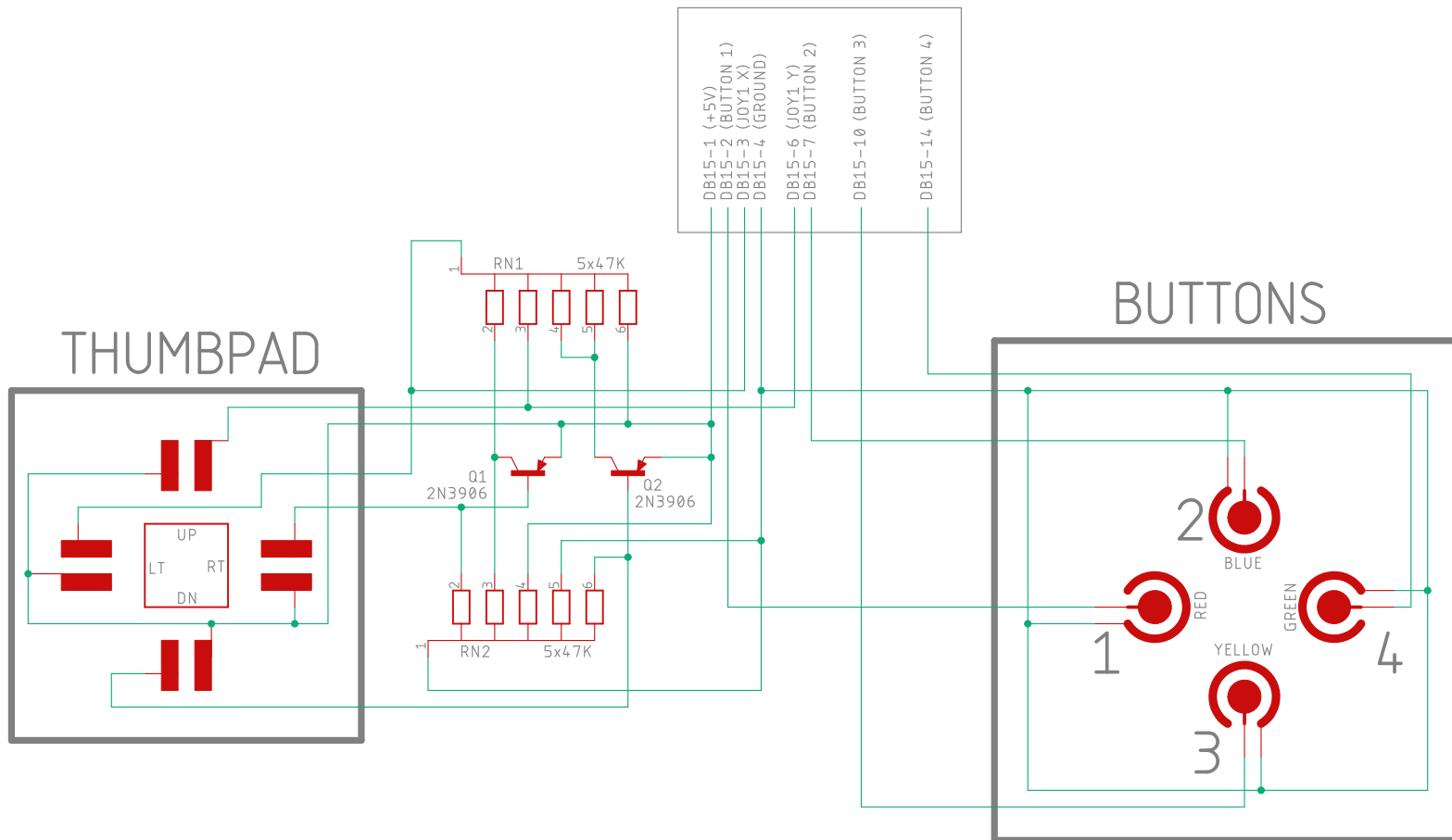
D

D

E

E

# DB15 JOYSTICK PORT



## SIMPLE DB15 PC GAMEPAD

Reverse-Engineered By:

Guru  
<https://gurudumps.otenko.com>

Date: 28/02/2024 1:19 PM

Sheet: 1/1

REV: A