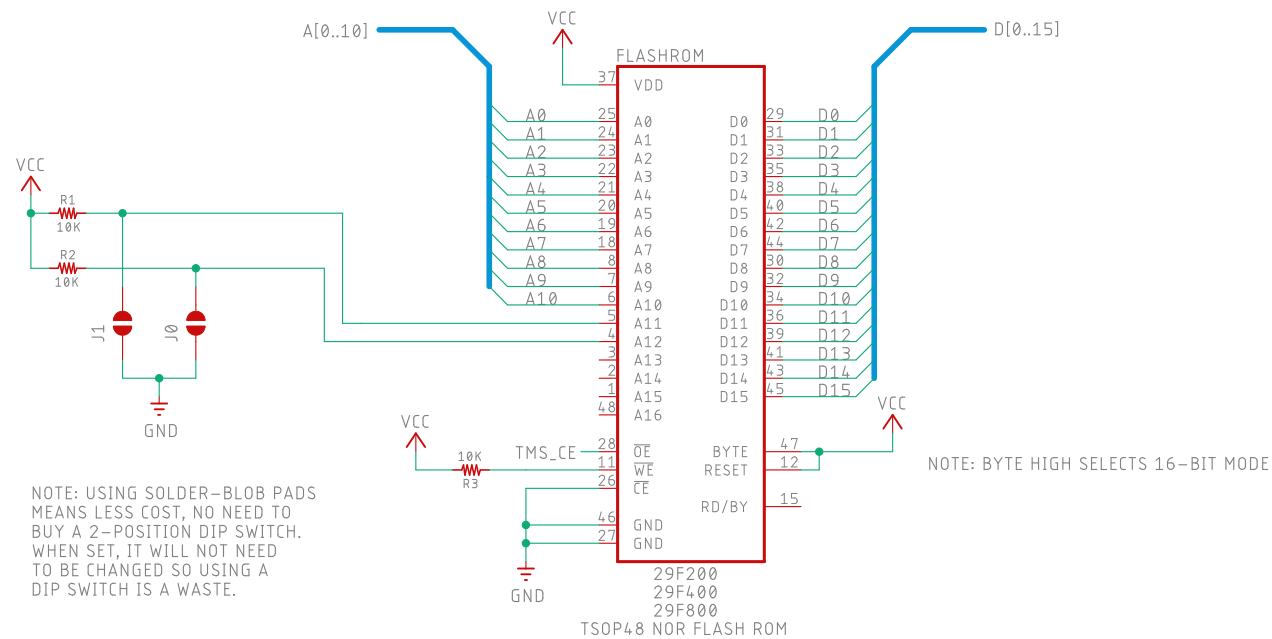


OPTIONAL TSOP48 WIRING EXAMPLE

NOTE: TO SIMPLIFY THE ROM HOOK-UP USE A 16-BIT TSOP48 FLASHROM AND WITH A 2-POSITION DIP SWITCH TIED TO A11-A12 YOU CAN SWITCH BETWEEN ALL THE ROM VERSIONS....



NOTE: USING SOLDER-BLOB PADS MEANS LESS COST, NO NEED TO BUY A 2-POSITION DIP SWITCH. WHEN SET, IT WILL NOT NEED TO BE CHANGED SO USING A DIP SWITCH IS A WASTE.

GAME USAGE
GXC-01 - Hishou Zame
GXC-02 - Sky Shark, Flying Shark, Wardner, Pyros
GXC-03 - Kyukyoku Tiger
GXC-04 - Twin Cobra, Demon's World

NOTE: TO SWAP REGIONS, GXC ROM AND MAIN BOARD PROGRAM EPROMS MUST BE SWAPPED. ROMS CAN BE TAKEN FROM MAME ARCHIVES.

TAITO GXC PROTECTION DEVICE

Reverse-Engineered By:

Guru
<https://gurudumps.otenko.com>

Date: 30/12/2024 12:27 PM

Sheet: 1/1

REV: A