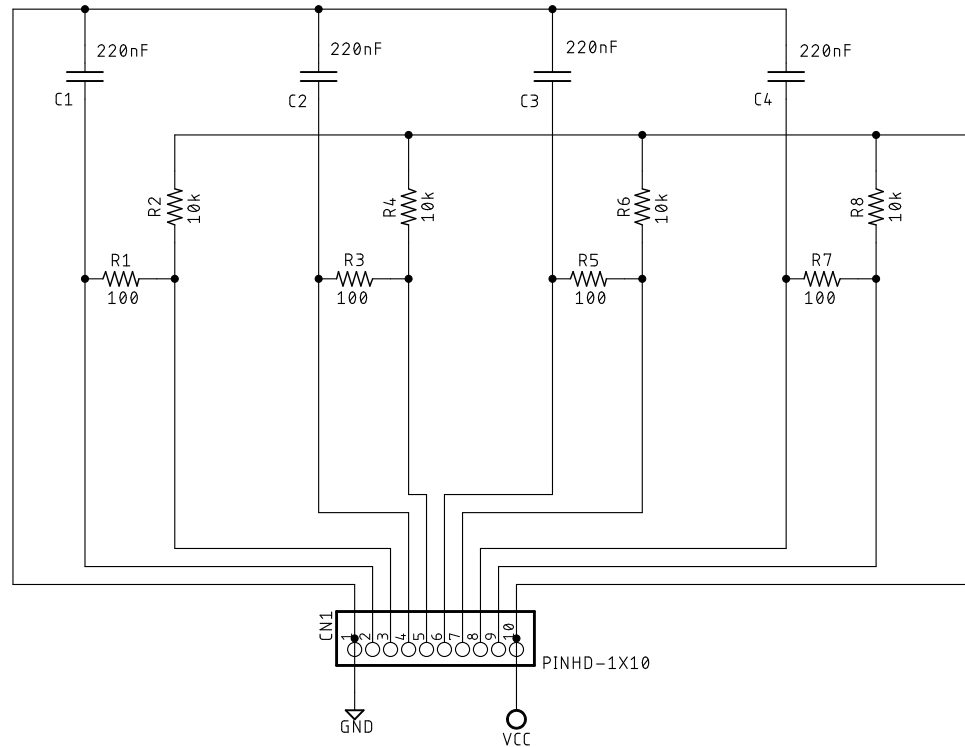


TAITO 48CR-1



Parts List
R1, R3, R5, R7 - 100 Ohm Resistor
R2, R4, R6, R8 - 10k Resistor
C1, C2, C3, C4 - 220nF Ceramic Capacitor
CN1 - Pin Header 1x10 (0.1" pin spacing)

NOTE: Unless otherwise stated, all capacitors and resistors are SMD 0804 or 0805 package.

TAITO 48CR-1

Reverse-
Engineered
By:

GURU

<https://gurudumps.blogspot.com/>

Date: 26/04/2022 1:16 PM

Sheet: 1/1

REV: A