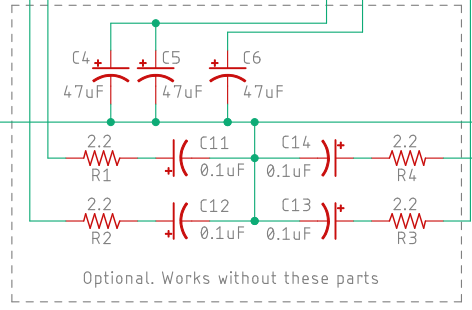
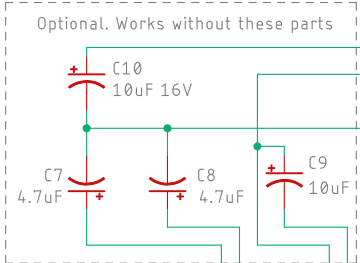


#	NOTES
1	These parts can be removed and don't need to be replaced when repairing the module: C3, C4, C5, C6, C7, C8, C9 & C10 (i.e. all caps on top except C1 & C2)
2	If pin 7 is wired to VCC (pin 33 of module), IC4 can be omitted.



# KONAMI 054986A

Reverse-Engineered By:

GURU  
<https://gurudumps.blogspot.com>