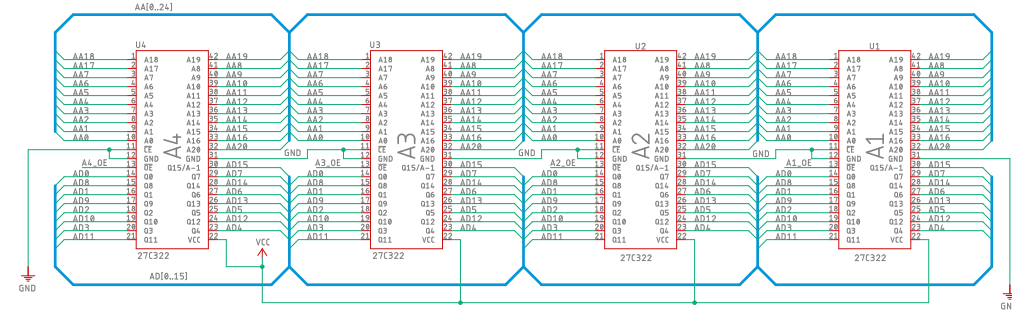
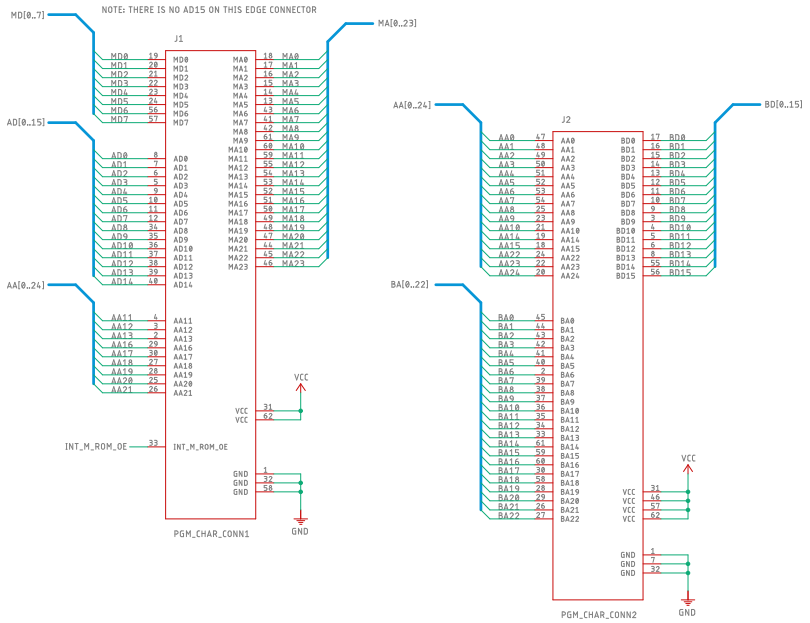


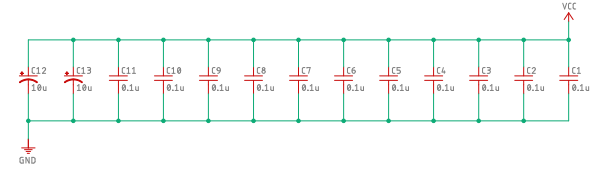
CARD EDGE CONNECTORS

A-ROMS

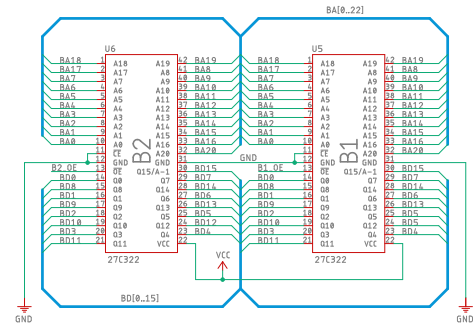
NOTE: AD15 HAS NO CONNECTION TO CARD EDGE CONNECTOR



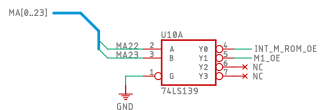
POWER



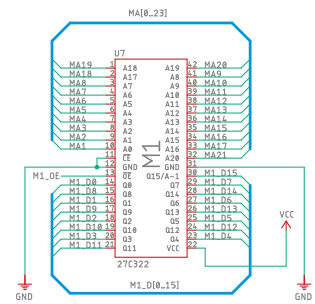
B-ROMS



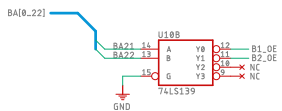
M-ROM DATA OUTPUT ENABLE



M-ROM

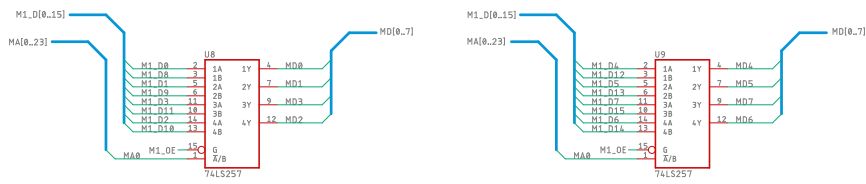


B-ROM DATA OUTPUT ENABLE

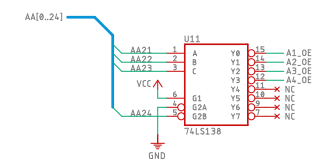


M-ROM 16-BIT TO 8-BIT DATA OUTPUT SELECTORS

(ORIGINAL MASK ROM IS 8-BIT BYTE MODE)



A-ROM DATA OUTPUT ENABLE



BILL OF MATERIALS

QTY	LOCATION	VALUE	DESCRIPTION
7	U1, U2, U3, U4, U5, U6, U7	ST 27C322	32Mbit x 16-bit EPROM DIP42
11	C1, C2, C3, C4, C5, C6, C7, C8, C9, C10, C11	0.1uF	CERAMIC CAPACITOR 5mm PIN SPACING
2	C12, C13	10uF	ELECTROLYTIC CAPACITOR 5mm DIA. x 2.5mm PIN SPACING
2	U8, U9	74LS257	QUADRUPLE 2-LINE TO 1-LINE DATA SELECTOR/MULTIPLEXER
1	U10	74LS139	DUAL 2-LINE TO 4-LINE DECODER/DEMULTIPLEXER
1	U11	74LS138	3 TO 8 LINE DECODER / DEMULTIPLEXER

IGS PGM CAVE BOOTLEG CHARACTER BOARD